



Meeting Table

OVERVIEW

Whether anchoring a small conference room or out by the kitchen, the Branch Meeting Table gives teams a place to collaborate, brainstorm and chat about work (or everything else).

Compact and stylish, the Meeting Table feels at home in any nook around the office. Pairs well with our Guest Chair or Cafe Chair.

MATERIALS

Laminated MDF top: repels dings and spills in style, available in two finishes.

Flanged steel base: 3mm steel with powder white finish and flanged steel base for stability.

RETURN POLICY

Like-new Branch products in their original packaging can be returned for a refund within 30 days of purchase.

WARRANTY

10-year warranty. View our policy at branchfurniture.com/pages/returns-and-warranty.

CLEANING AND CARE

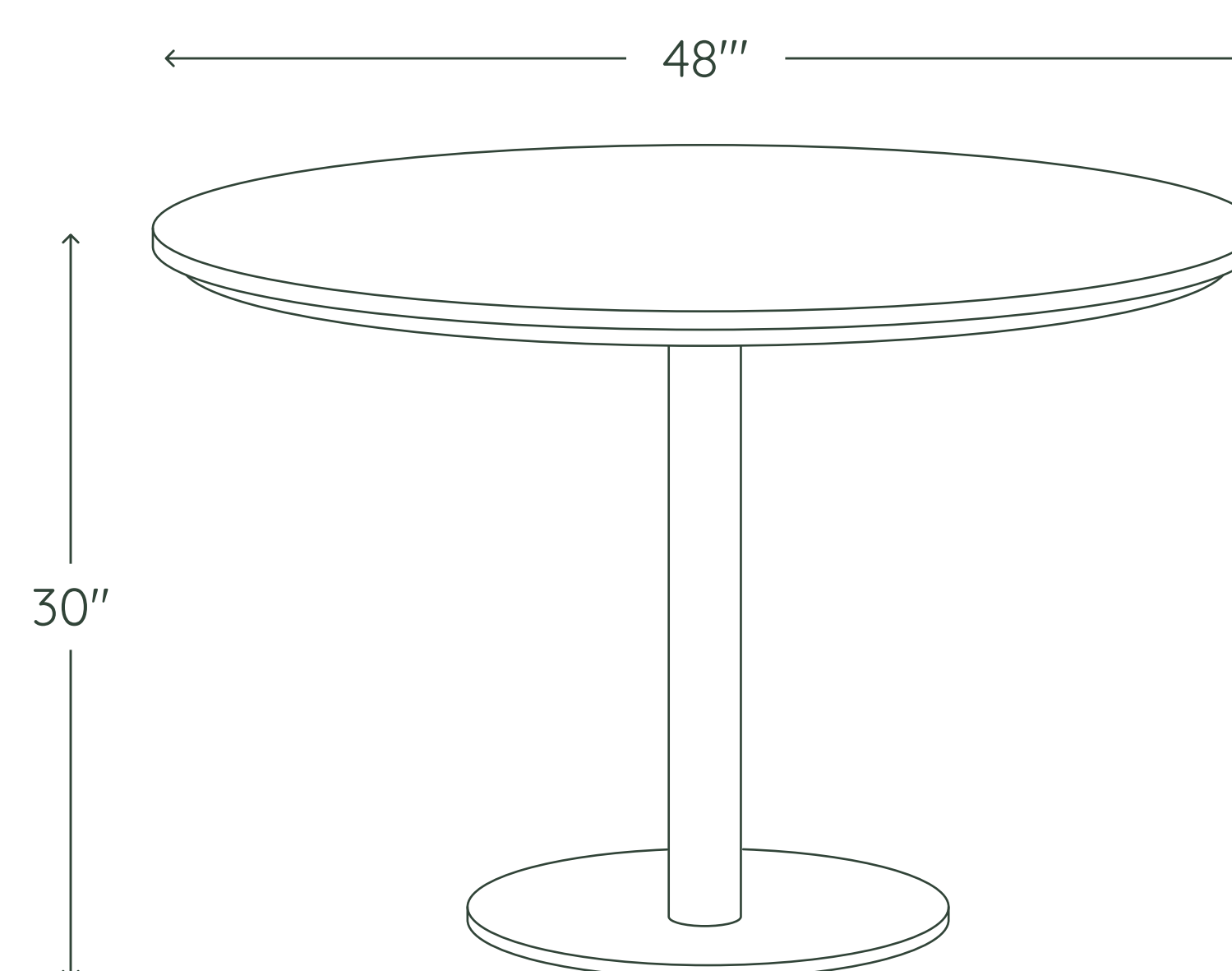
Top: use a soft cloth soaked in warm, soapy water and follow with a streak-free glass cleaner.

Frame: wipe off dust with a soft cloth, and use a mild soap with water to remove stains and debris.

TOP COLORS



BASE COLORS



SPECIFICATIONS

Overall: 48"W x 48"D x 30"H

Assembled weight: 75 lbs

Max capacity: 300 lbs