



MATERIALS

Performance frame: choose between a buttery soft and breathable mesh (Sonic the Hedgehog) or vegan leather (SEGA Genesis and SEGA Dreamcast).

High density foam cushion: molded cushion evenly distributes weight for a comfortable sit.

Aluminum base: Powder-coated aluminum for a lasting foundation of work.

Scratch-proof casters: durable nylon ideal for multiple floor types.

RETURN POLICY

Like-new Branch products in their original packaging can be returned for a refund within 30 days of purchase.

WARRANTY

7-year warranty. View our full policy at branchfurniture.com/pages/returns-and-warranty.

CLEANING AND CARE

Base and frame: use a gentle, non-ammonia cleaning product to shine and remove scuffs.

Seat: use a furniture spot-cleaner to remove any stains from your chair. Avoid bleach and water-based cleaning products to prevent discoloration.

Branch

Ergonomic Chair Pro: SEGA Edition

OVERVIEW

The Ergonomic Chair Pro: SEGA Edition combines exceptional ergonomic support with unmistakable SEGA DNA. Featuring forward tilt adjustment, 5D armrests, two-way adjustable lumbar support, an improved headrest, and three iconic SEGA designs, the Pro offers impressive support for every body at a remarkably accessible price.

SEAT COLORS

Nylon Mesh

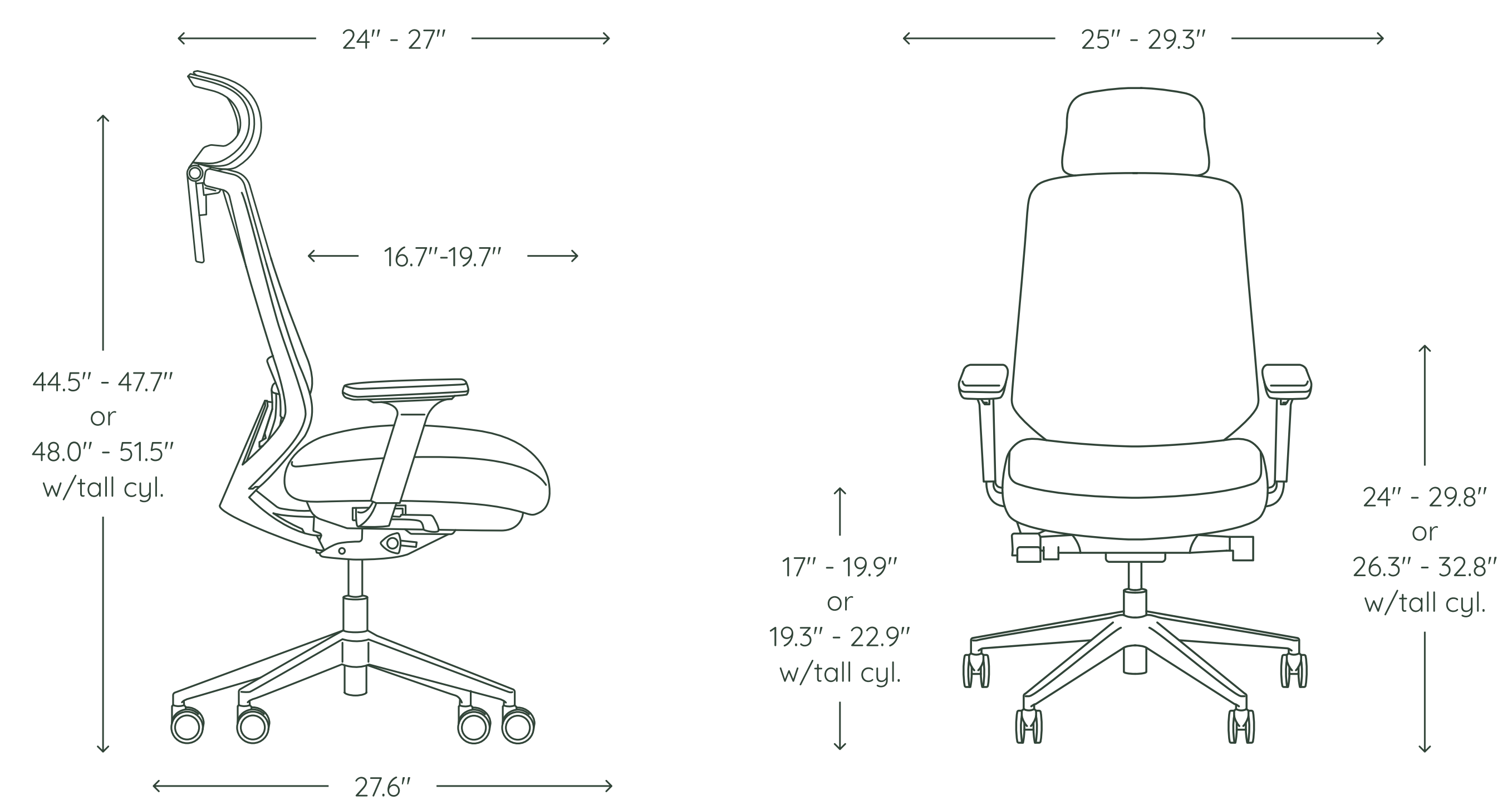
Sonic the Hedgehog



SEGA Genesis



SEGA Dreamcast



SPECIFICATIONS

Overall: 25"W x 24"D x 44.5"-47.7"H or 25"W x 24"D x 48"-51.5"H

Armrest height: 24"-29.8" or 26.3"-32.8"

Seat height: 17"-19.9" or 19.3"-22.9"

Tilt range: 26°

Seat depth: 16.7"-19.7"

Max capacity: 275 lbs

Assembled weight: 42 lbs

OPTIONAL ADD ONS



Gold Ring Caster Wheel Set

Bonus wheel set with iconic gold ring detail inspired by Sonic the Hedgehog.



Tall Cylinder

An extended height cylinder for Ergonomic Chair Pro that accommodates people over 6' tall.