



MATERIALS

Performance mesh: 8z Pellicle technology with 2 unique tension zones, made from Polyester and Polyelastomer.

Frame: injection molded plastic and nylon.

Mechanism: custom center-tilt design

RETURN POLICY

Like-new Branch products in their original packaging can be returned for a refund within 30 days of purchase.

WARRANTY

5-year warranty. View our full policy at branchfurniture.com/pages/returns-and-warranty.

CLEANING AND CARE

Mesh and frame: use a gentle, non-ammonia cleaning product to shine and remove scuffs. Avoid bleach and water-based cleaning products to prevent discoloration.

Aire Chair

OVERVIEW

Get into your comfort zones with Aire Chair. Utilizing a new performance mesh with varied zones of tension along its seat and back, Aire Chair helps to help support, stabilize, or soften your weight in a variety of postures. A new weight-activated mechanism provides personalized and balanced support for every body and position, while its three-way adjustable armrests with cushioned and contoured arm pads help anyone find their comfort zone quicker--and stay there longer.

COLORS

Vapor



#CECFD0

Graphene

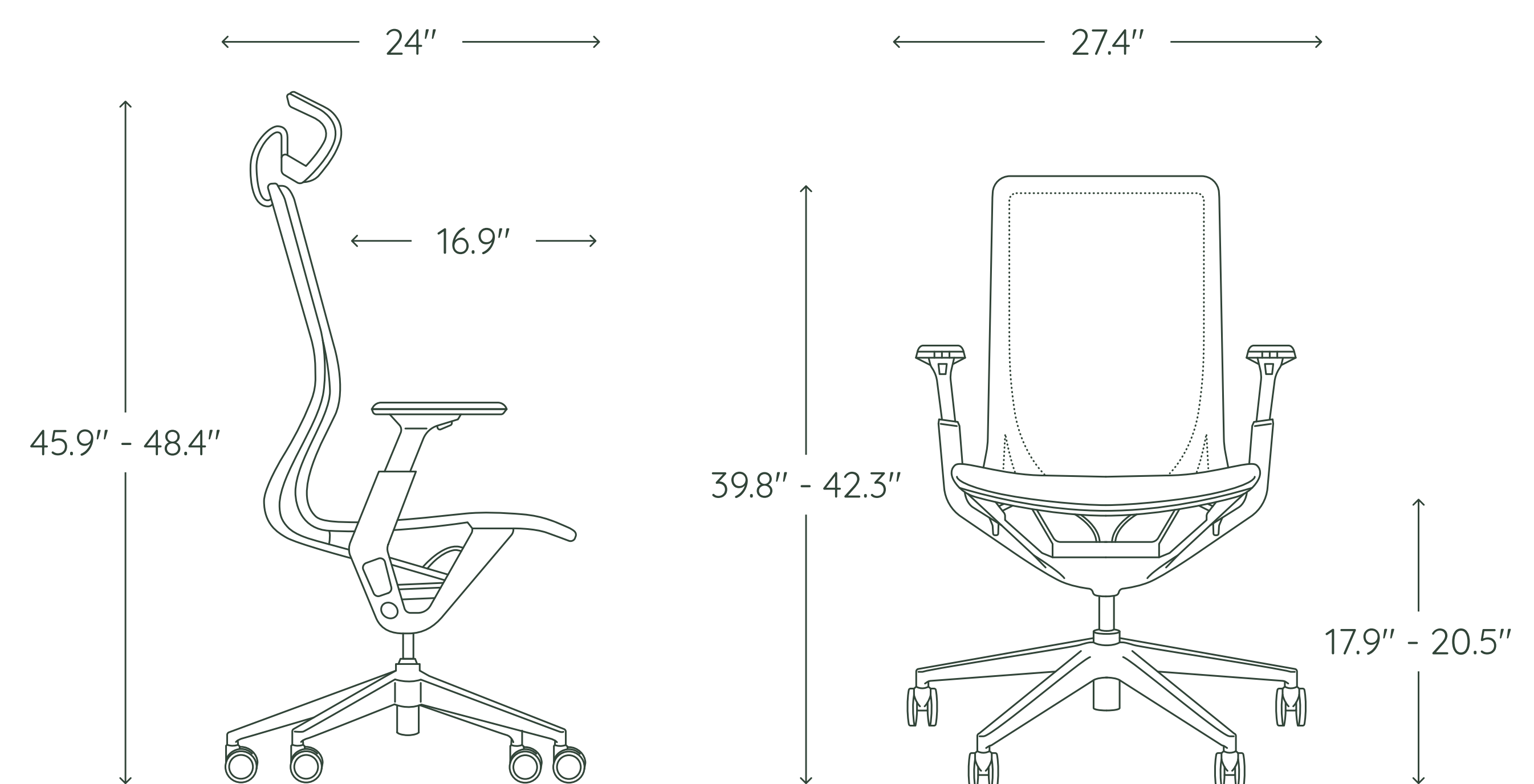


#393A3B

Hunter



#85845D



SPECIFICATIONS

Overall without headrest : 27.4"W x 24"D x 39.8"-42.3"H

Overall with headrest : 27.4"W x 24"D x 45.9"-48.4"H

Chair height: 39.8"-42.3"H

Seat height: 17.9"-20.5"

Seat depth: 16.9"

Tilt range: 12°

Max capacity: 275 lbs

Assembled weight: 34 lbs