



Small Filing Cabinet

OVERVIEW

With a sleek design and integrated lock and wheels, the Small Filing Cabinet is a compact and stylish companion for offices where space comes at a premium. Features drawer dividers to keep belongings organized, locking drawers, and wheels. Fits standard hanging folders lengthwise.

Built from coated steel and available in neutral finishes that repel dirt and fingerprints, it's a perfect storage solution whether you're working from the home office or the open office.

MATERIALS

Coated steel: contract-grade coated steel.

RETURN POLICY

Like-new Branch products in their original packaging can be returned for a refund within 30 days of purchase.

WARRANTY

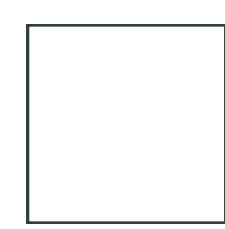
1-year warranty. View our policy at branchfurniture.com/pages/returns-and-warranty.

CLEANING AND CARE

Use a soft cloth soaked in warm, soapy water and follow with a streak-free glass cleaner.

COLORS

White



#FFFFFF

Charcoal

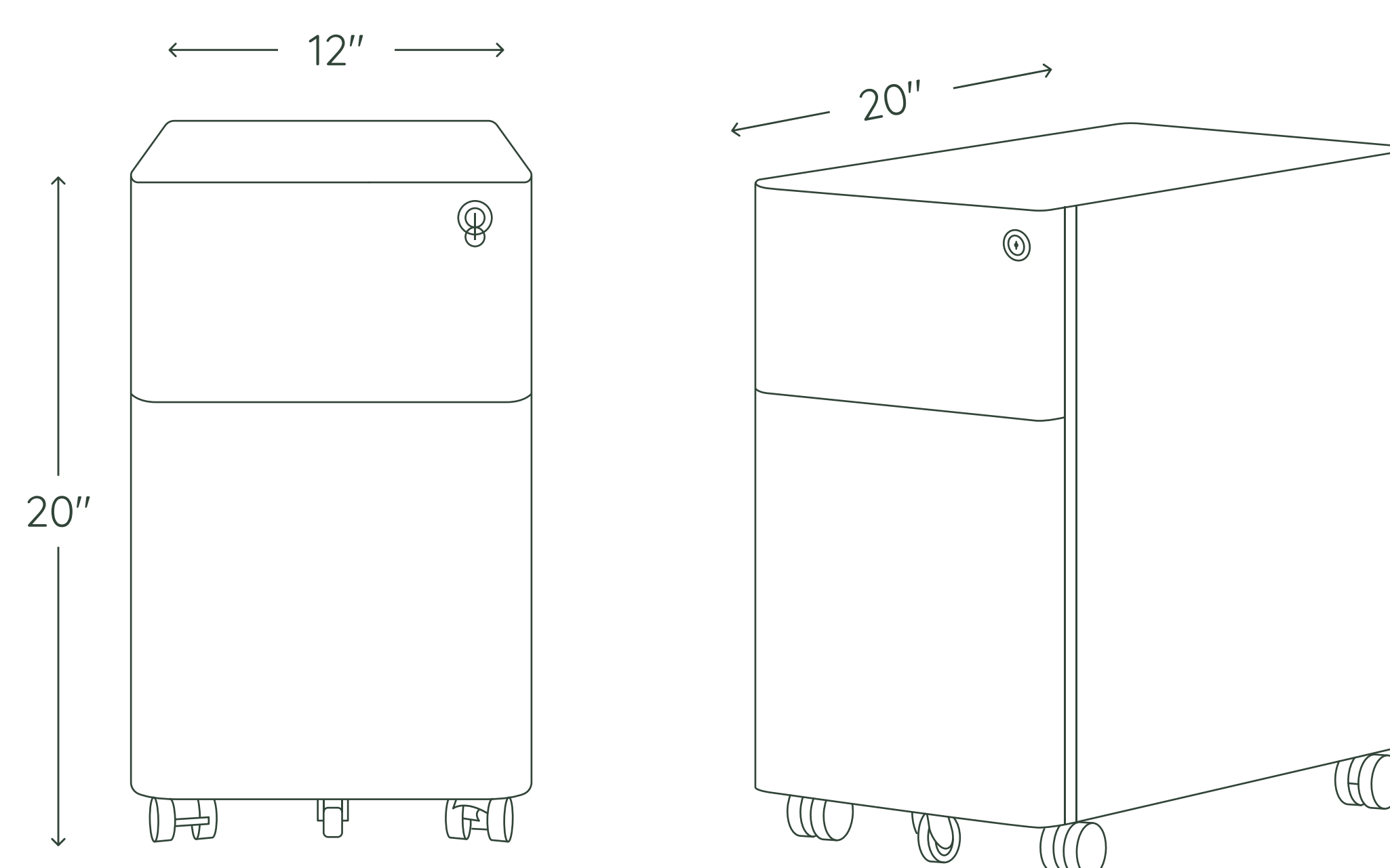


#6B6B6B

Sage



#A1AC9D



SPECIFICATIONS

Overall: 12"W x 20"D x 20"H

Assembled weight: 22 lbs

Max capacity: 75 lbs