



## MATERIALS

**Double-woven mesh:** nylon weave eases pressure points with breathable support.

**High density foam cushion:** contoured cushion evenly distributes weight for a comfortable sit.

**Polymer frame:** built from impact-resistant polymer and nylon fill.

**Aluminum base:** anodized aluminum for a lasting foundation of work.

**Scratch-proof casters:** durable nylon ideal for multiple floor types.

## RETURN POLICY

Like-new Branch products in their original packaging can be returned for a refund within 30 days of purchase.

## WARRANTY

7-year warranty. View our full policy at [branchfurniture.com/pages/returns-and-warranty](https://branchfurniture.com/pages/returns-and-warranty).

## CLEANING AND CARE

**Base and frame:** use a gentle, non-ammonia cleaning product to shine and remove scuffs.

**Seat:** use an upholstery cleaning product suitable for nylon fabrics.

# Branch

# Ergonomic Chair

## OVERVIEW


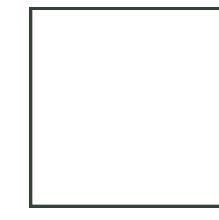
Designed for superior support and endless adaptability, the Ergonomic Chair puts you at the center of work. Its firm lumbar support and contoured upper backrest encourage a healthy posture while its industry-leading eight points of adjustment make it easy for anyone to find their fit.

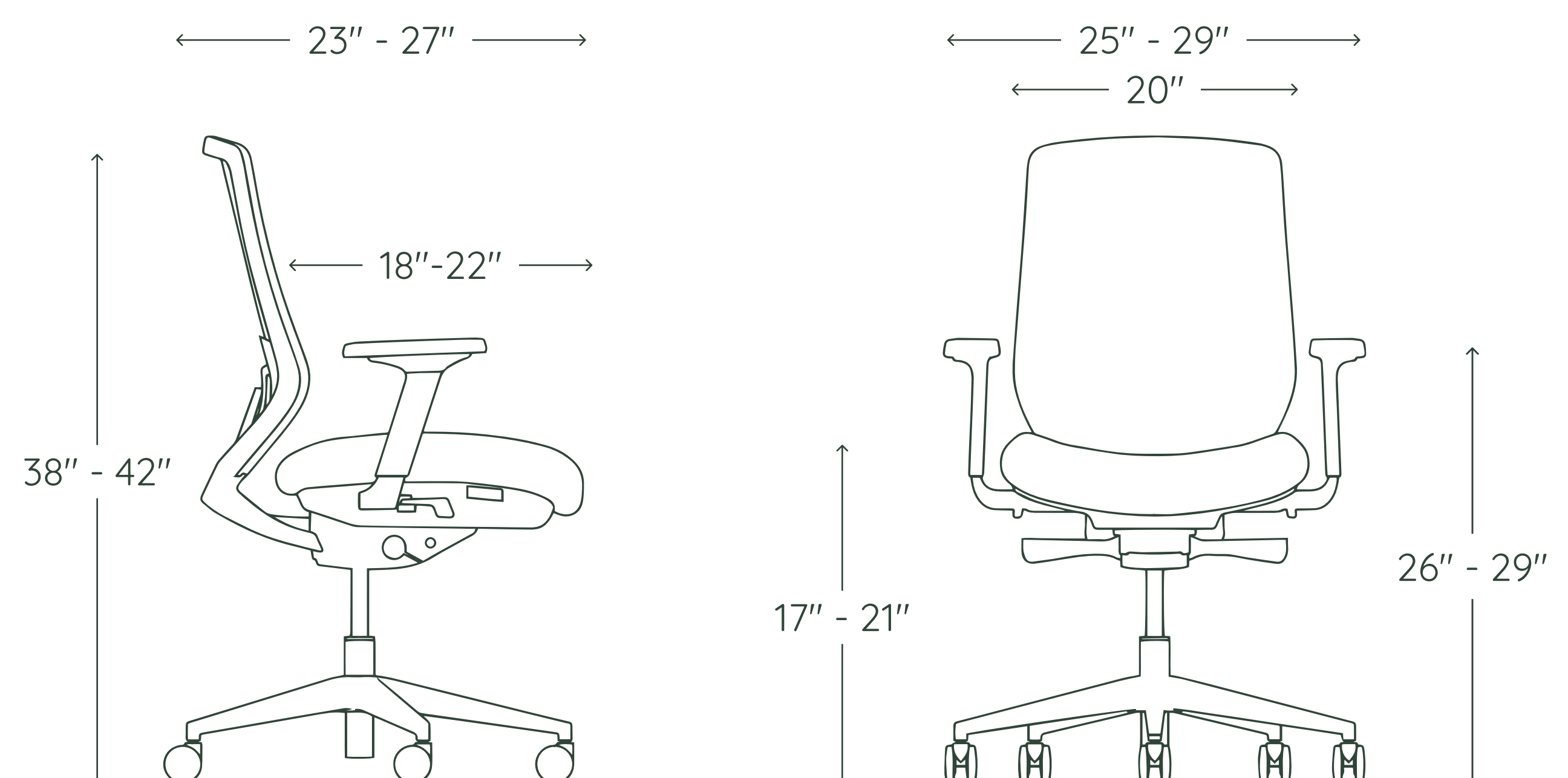
Wrapped in a breathable backrest that keeps you cool throughout the day, the Ergonomic Chair adds a minimalist, modern touch whether you're in the home or open office.

## FABRIC COLORS

Black	Sand	Light Blue	Pebble	Graphite
				
#111111	#D2C4AF	#BEDBEC	#D3D2D0	#646566

## FRAME COLORS

Black	White
	
#111111	#FFFFFF



## SPECIFICATIONS

Overall: 25"W x 24"D x 38"-42"H	Armrest height: 26"-29"
Chair height: 38"-42"	Tilt range: 20°
Seat height: 17"-21"	Max capacity: 275 lbs
Seat depth: 18"-22"	Assembled weight: 35 lbs
Armrest width: 25"-29"	

## OPTIONAL ADD ONS



### Headrest

Adjustable mesh headrest, ideal for sitters who alternate between reclining and upright posture.