



Double Standing Desk

OVERVIEW

Modern design is complemented by robust construction in the Double Standing Desk — a professional oasis for your team. Features two independent tabletops on a fully-integrated base.

The power console comes standard on every unit and can be connected to other units and chained together. Its dual motors and three-stage lift columns make the transition between sitting and standing so seamless you'll be hard-pressed to find a reason not to move. Easily set and save your optimal height(s) with four memory presets, while enjoying thoughtful details like built-in cable organization.

MATERIALS

Laminated MDF top: repels dings and spills in style, available in several finishes.

Articulated steel legs: coated 3mm steel with 3-column lift for adjustment at various heights.

Tapered feet: tapered and adjustable, our steel desk feet ensure stability on any surface.

RETURN POLICY

Like-new Branch products in their original packaging can be returned for a refund within 30 days of purchase.

WARRANTY



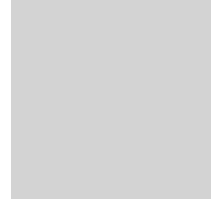
10-year warranty for tabletop and frame components. View our policy at branchfurniture.com/pages/returns-and-warranty.

CLEANING AND CARE

Top: use a soft cloth soaked in warm, soapy water and follow with a streak-free glass cleaner.

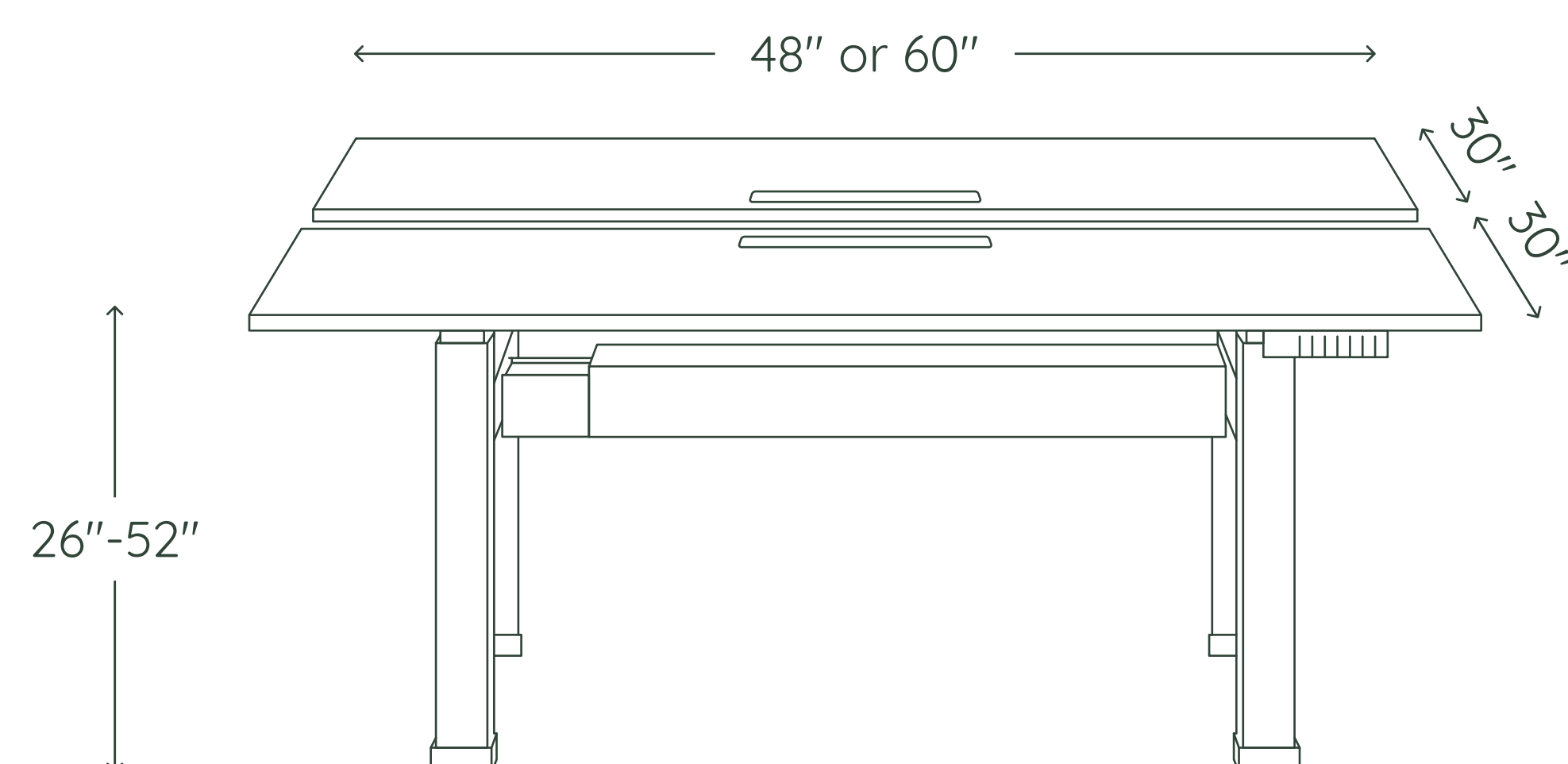
Frame: wipe off dust with a soft cloth, and use a mild soap with water to remove stains and debris.

TOP COLORS

Woodgrain	White	Walnut	Fog
			
#E9D8B6	#FFFFFF	#752201	#D3D3D3

BASE COLORS

White	Charcoal
	
#FFFFFF	#3E474B



SPECIFICATIONS

Workstation size	Max capacity: 275 lbs
48x30: 48"W x 30"D x 26"-52"H	Memory: 4 presets
60x30: 60"W x 30"D x 26"-52"H	Operating speed: 1.3cm/s
Lift range: 26" (26"-52")	Operating noise: <50dB
Assembled weight: 230-360 lbs	

OPTIONAL ADD ONS



In-Desk Power

With five AC outlets, one USB-B port, and one USB-C port, your desk will be ready to power your workday.

Branch