



MATERIALS

Laminated MDF top: repels dings and spills in style, available in several finishes.

Articulated steel legs: 3mm steel tubing in a coated or polished aluminum finish.

Tapered feet: tapered and adjustable, our desk feet ensure stability on any surface.

RETURN POLICY

Like-new Branch products in their original packaging can be returned for a refund within 30 days of purchase.

WARRANTY

10-year warranty. View our policy at branchfurniture.com/pages/returns-and-warranty.

CLEANING AND CARE

Top: use a soft cloth soaked in warm, soapy water and follow with a streak-free glass cleaner.

Frame: wipe off dust with a soft cloth, and use a mild soap with water to remove stains and debris.

Branch

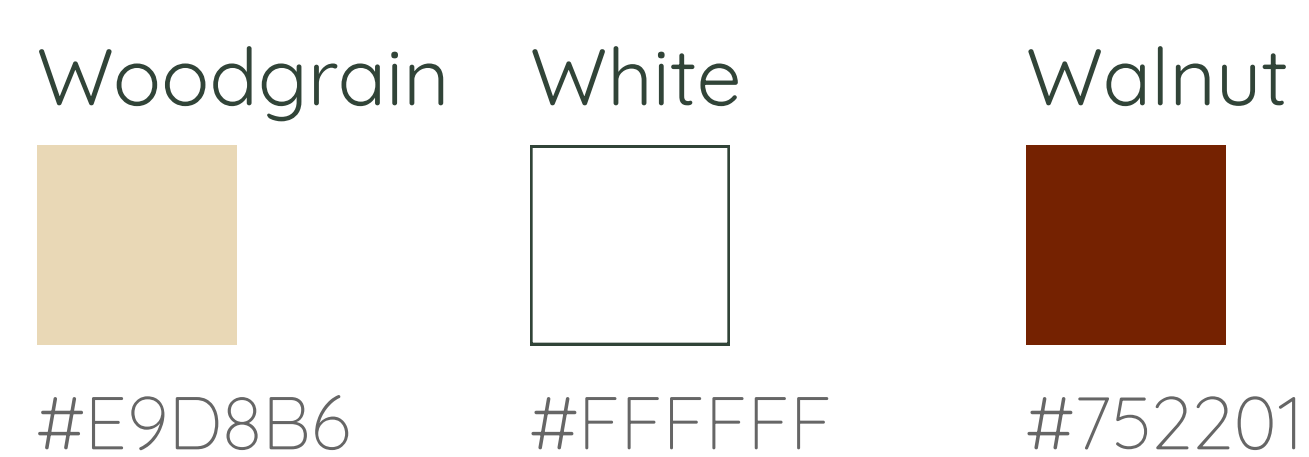
Conference Table

OVERVIEW

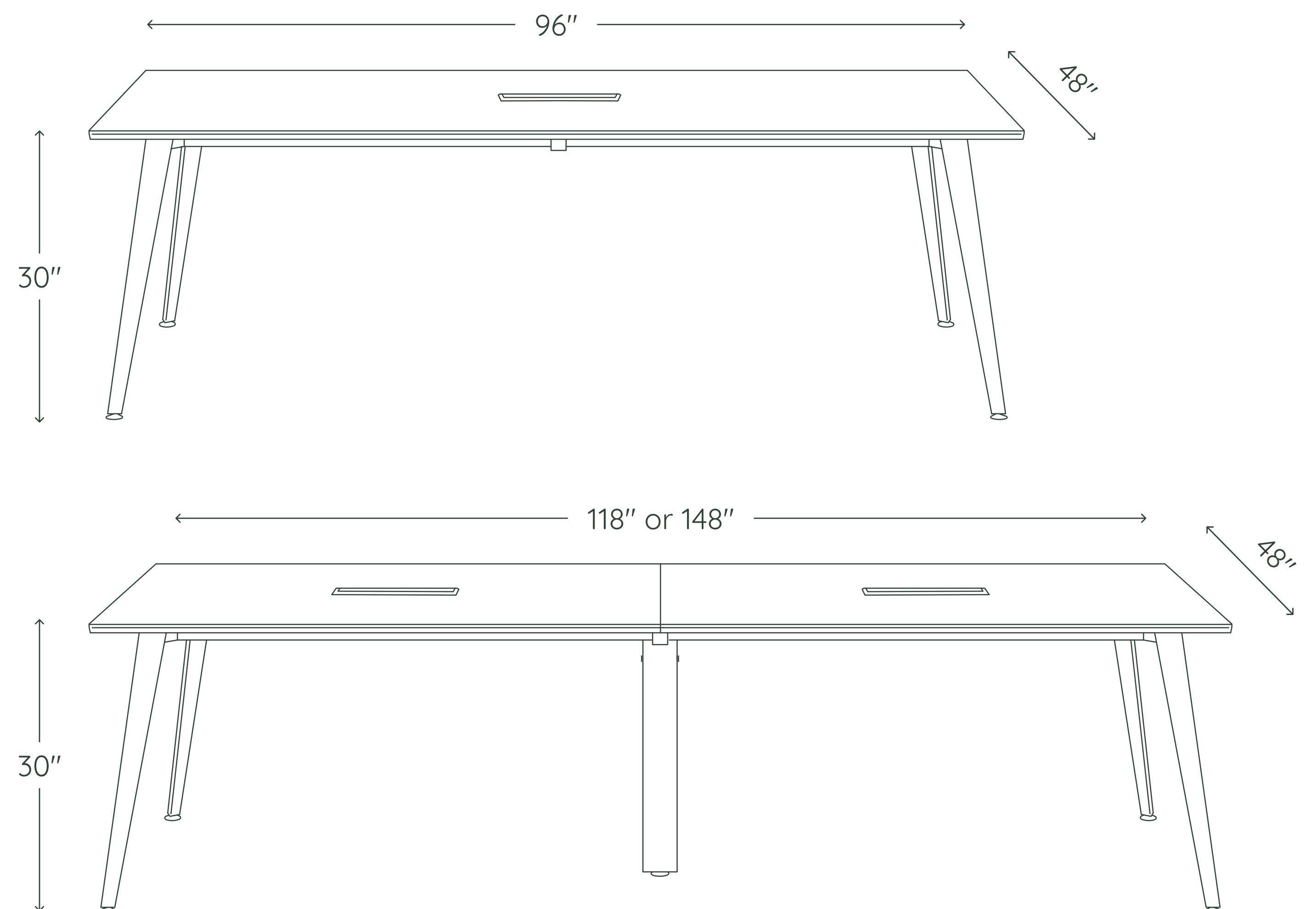
Teams of all sizes make big things happen at the Branch Conference Table. Thoughtful details like a beveled table top, brushed cable port and flared legs help the Conference Table feel at home from design studios to board rooms.

With sizes to accommodate teams both big and small, this table is your home for productive conversation and deep collaboration. Available to fit teams of 6-8, 8-10, and 10-12.

TOP COLORS



BASE COLORS



SPECIFICATIONS

6-8 seats: 96"W x 48"D x 30"H

Weight: 160-270 lbs

8-10 seats: 118"W x 48"D x 30"H

Max capacity: 650 lbs

10-12 seats: 148"W x 48"D x 30"H

OPTIONAL ADD ONS



In-Desk Power

With five AC outlets, one USB-B port, and one USB-C port, your desk will be ready to power your workday.