



MATERIALS

Laminated MDF top: repels dings and spills in style, available in two finishes.

Flanged steel base: 3mm steel with powder white finish. Flanged steel base for stability.

RETURN POLICY

Like-new Branch products in their original packaging can be returned for a refund within 30 days of purchase.

WARRANTY

10-year warranty. View our policy at branchfurniture.com/pages/returns-and-warranty.

CLEANING AND CARE

Top: use a soft cloth soaked in warm, soapy water and follow with a streak-free glass cleaner.

Frame: wipe off dust with a soft cloth, and use a mild soap with water to remove stains and debris.

Bistro Table

OVERVIEW

Built for spaces with a casual and collaborative feel, the Branch Bistro Table gives teams a place to relax, have a snack and chat about work (or everything else).

The Bistro Table comes in a standing or seated height to comfortably accommodate up to four people. A flanged steel base in our signature powder white finish ensures stability in style.

TOP COLORS

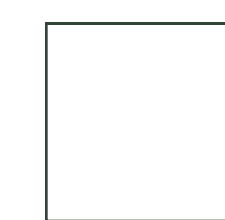
Woodgrain



Walnut



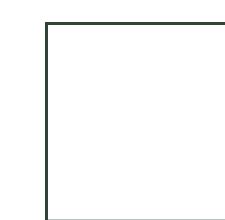
White



#FFFFFF

BASE COLORS

White

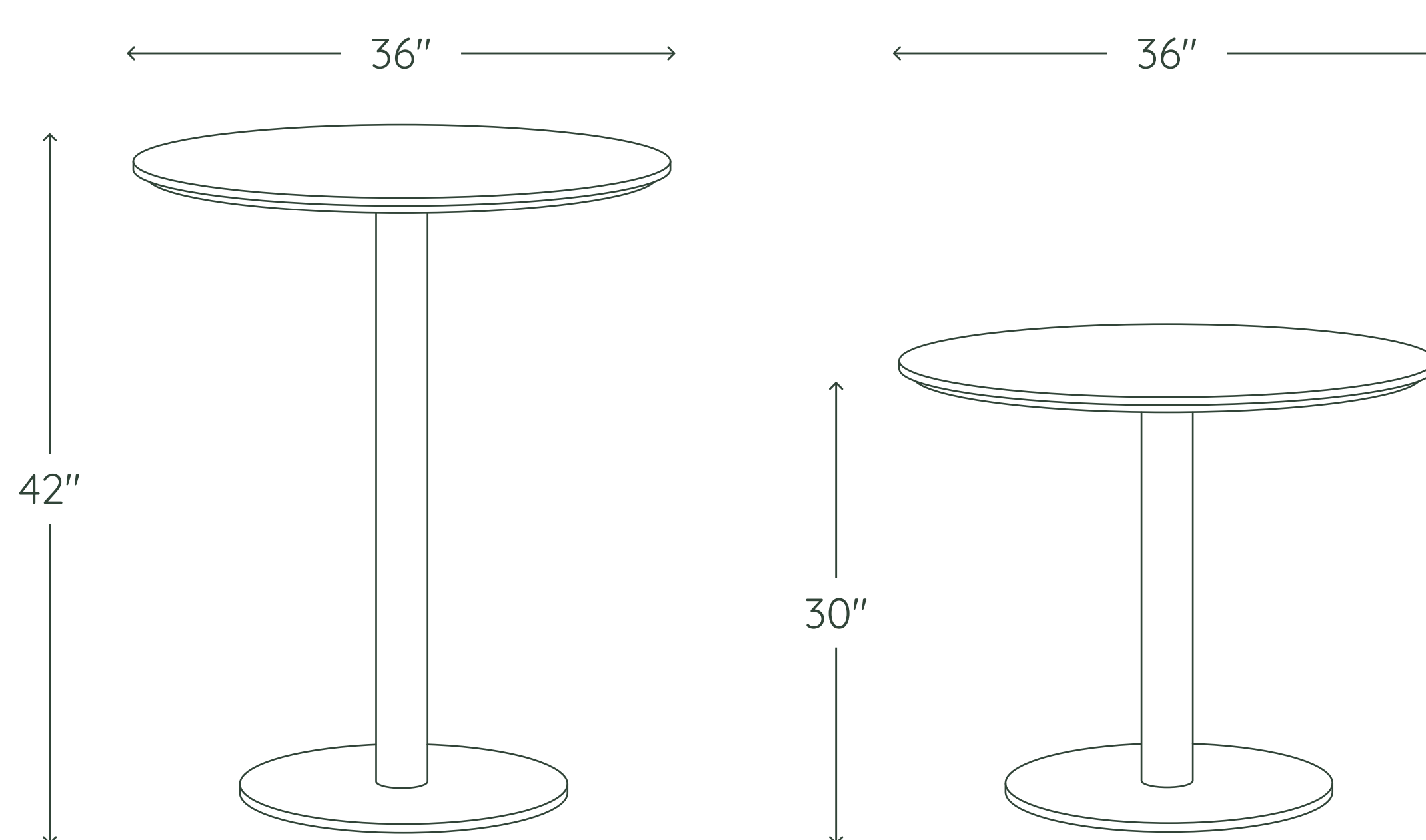


#FFFFFF

Charcoal



#3E474B



SPECIFICATIONS

Standing height: 36"W x 36"D x 42"H

Seated height: 36"W x 36"D x 30"H

Assembled weight: 90 lbs

Max capacity: 300 lbs