



## MATERIALS

**Laminated MDF top:** repels dings and spills in style, available in two finishes.

**Flanged steel base:** 3mm steel with powder white finish. Flanged steel base for stability.

## RETURN POLICY

Like-new Branch products in their original packaging can be returned for a refund within 30 days of purchase.

## WARRANTY

10-year warranty. View our policy at [branchfurniture.com/pages/returns-and-warranty](https://branchfurniture.com/pages/returns-and-warranty).

## CLEANING AND CARE

**Top:** use a soft cloth soaked in warm, soapy water and follow with a streak-free glass cleaner.

**Frame:** wipe off dust with a soft cloth, and use a mild soap with water to remove stains and debris.

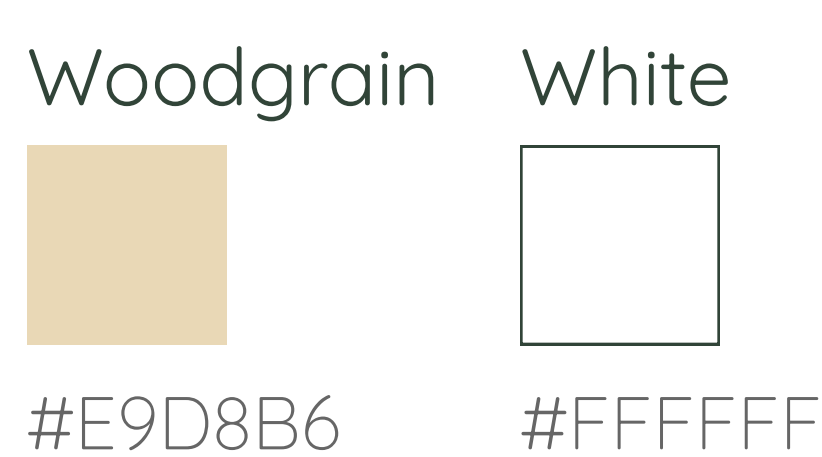
# Bistro Table

## OVERVIEW

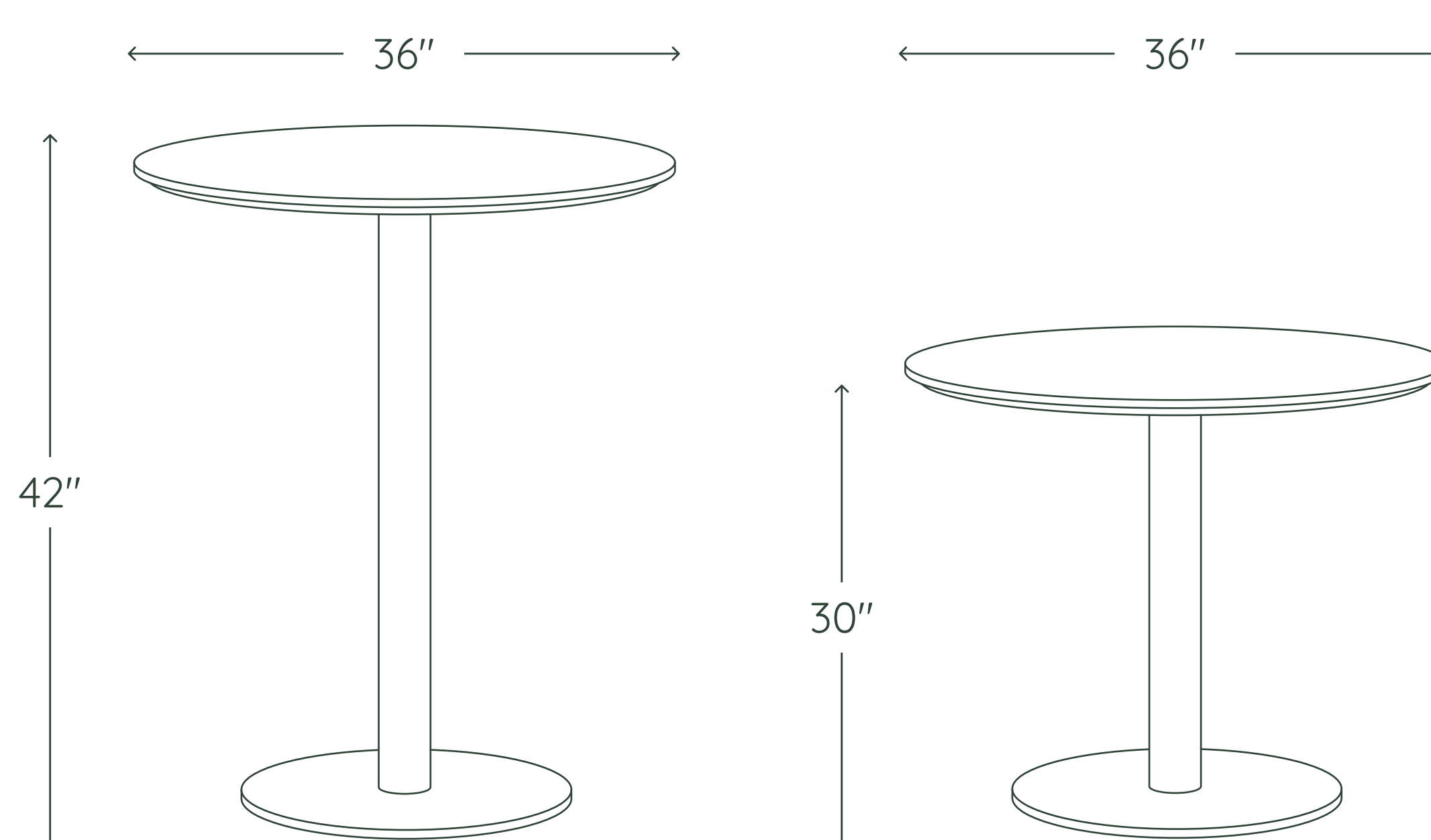
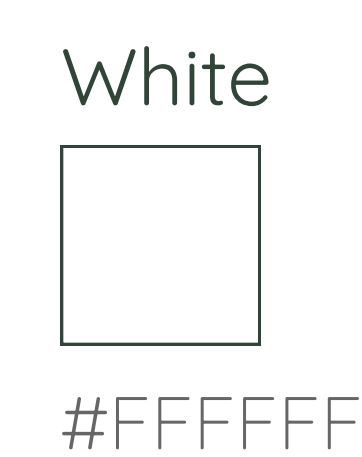
Built for spaces with a casual and collaborative feel, the Branch Bistro Table gives teams a place to relax, have a snack and chat about work (or everything else).

The Bistro Table comes in a standing or seated height to comfortably accommodate up to four people. A flanged steel base in our signature powder white finish ensures stability in style.

## TOP COLORS



## BASE COLORS



## SPECIFICATIONS

**Standing height:** 36"W x 36"D x 42"H

**Seated height:** 36"W x 36"D x 30"H

**Assembled weight:** 90 lbs

**Max capacity:** 300 lbs