



Bistro Chair

OVERVIEW

With contoured lines and vibrant colorways, the Bistro Chair is a striking and comfortable seating solution that pairs with high top tables and other elevated surfaces. Features a low, contoured back designed to encourage upright posture, and a high-density cushion for even weight distribution.

Coated steel legs add a touch of class while enhancing durability. Whether you purchase alone or pair with our Bistro Table, the Bistro Chair is a beautiful and comfortable way to sit in the workplace.

MATERIALS

Upholstery: made from a 100% polyester woven textile with firm foam and high abrasion resistance.

Base: coated steel pipe legs that are durable and prevent corrosion.

RETURN POLICY

Like-new Branch products in their original packaging can be returned for a refund within 30 days of purchase.

WARRANTY

5-year warranty. View our full policy at branchfurniture.com/pages/returns-and-warranty.

CLEANING AND CARE

Base: wipe off dust with a soft cloth, and use a mild soap with water to remove stains and debris.

Seat: use an upholstery cleaning product suitable for sensitive fabrics.

FABRIC COLORS

Burnt Orange Smoke Blue



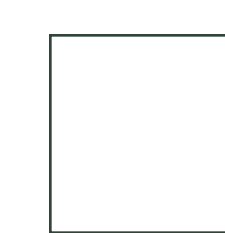
#D96A4E



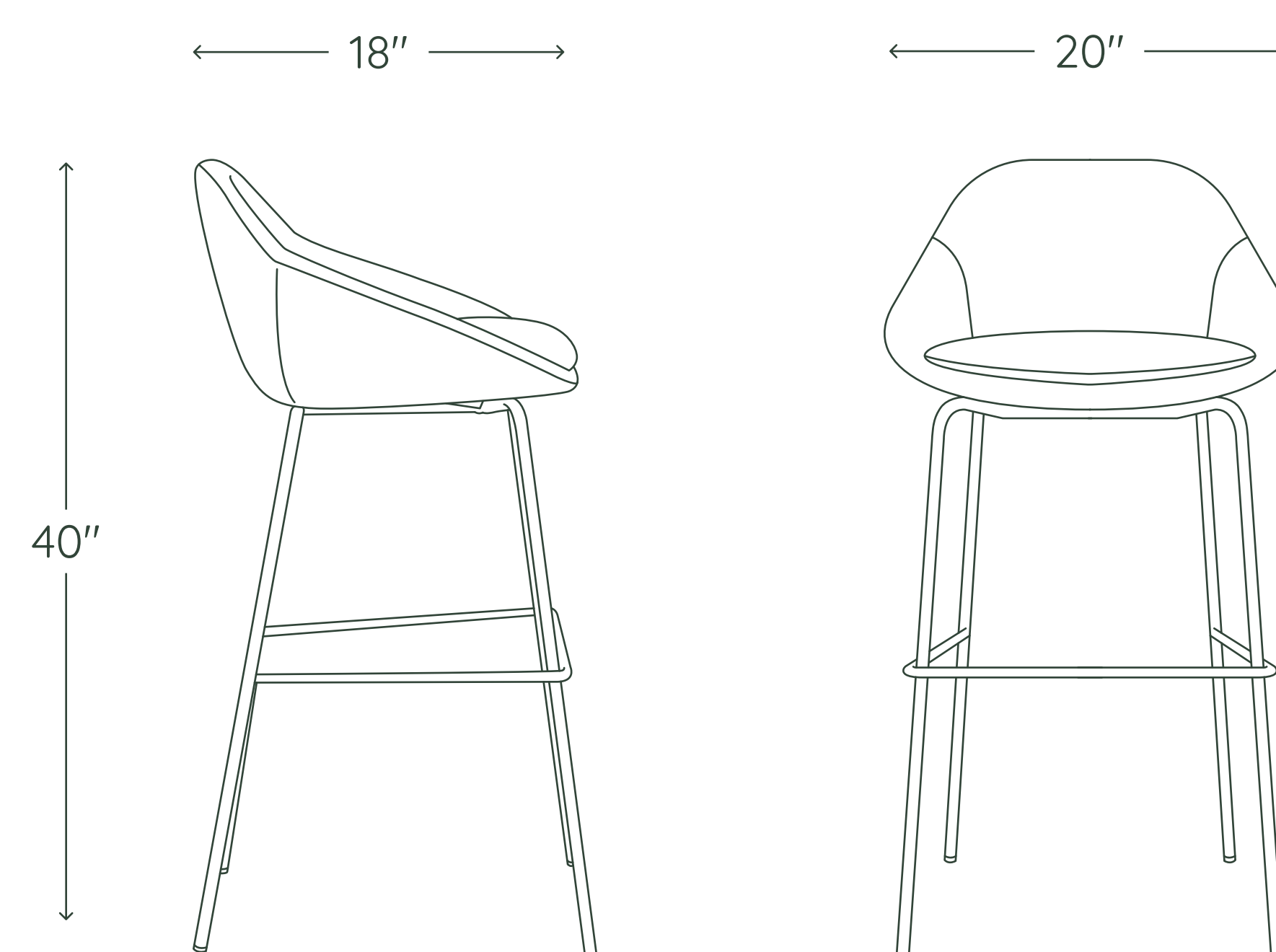
#98B3Bf

FRAME COLORS

White



#FFFFFF



SPECIFICATIONS

Overall: 20"W x 18"D x 40"H

Max capacity: 275 lbs

Assembled weight: 20 lbs